

# Registre à guillotine

# SKMTR



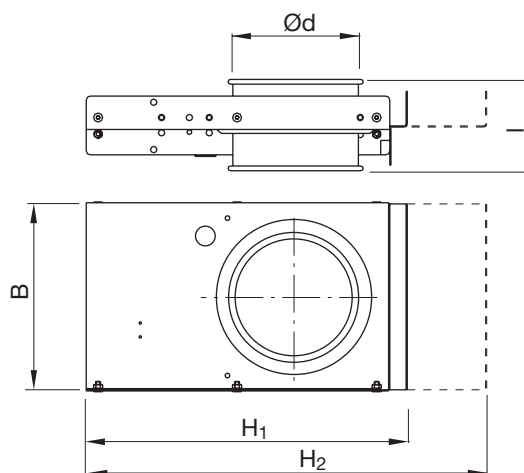
## Description

### Registre à guillotine manuel

Classe 4 d'étanchéité du volet

Classe C d'étanchéité de l'enveloppe

## Dimensions



| Ød<br>nom | H <sub>1</sub><br>[mm] | H <sub>2</sub><br>[mm] | B<br>[mm] | l<br>[mm] | m<br>kg |
|-----------|------------------------|------------------------|-----------|-----------|---------|
| 80        | 223                    | 338                    | 157       | 125       | 2,10    |
| 100       | 263                    | 398                    | 177       | 125       | 2,60    |
| 125       | 314                    | 475                    | 202       | 125       | 3,30    |
| 140       | 363                    | 548                    | 227       | 125       | 4,10    |
| 150       | 363                    | 548                    | 227       | 125       | 4,50    |
| 160       | 383                    | 574                    | 237       | 125       | 4,40    |
| 180       | 463                    | 699                    | 277       | 125       | 5,70    |
| 200       | 463                    | 699                    | 277       | 125       | 5,80    |
| 224 *     | 562                    | 849                    | 347       | 165       | 12,0    |
| 250 *     | 562                    | 849                    | 371       | 165       | 12,3    |
| 300 *     | 692                    | 1050                   | 422       | 165       | 17,0    |
| 315 *     | 692                    | 1050                   | 422       | 165       | 17,0    |
| 350 *     | 763                    | 1160                   | 472       | 165       | 19,0    |
| 400 *     | 863                    | 1310                   | 522       | 165       | 24,0    |

\* Lame traversante

## Accessories and space parts

### Art.

|          |                                 |
|----------|---------------------------------|
| SPDA-01  | Solenoid valve, complete        |
| SPDA-021 | Coil for solenoid valve 24 V DC |
| SPDA-022 | Coil for solenoid valve 24 V AC |
| SPDA-06  | Micro switch                    |
| SPDA-07  | Support for micro switch        |
| SPDA-08  | Sensor cylinder                 |
| SPDA-09  | Support for sensor              |

## Exemple de codification

|              |       |     |
|--------------|-------|-----|
| Produit      | SKMTR | 200 |
| Dimension Ød |       |     |