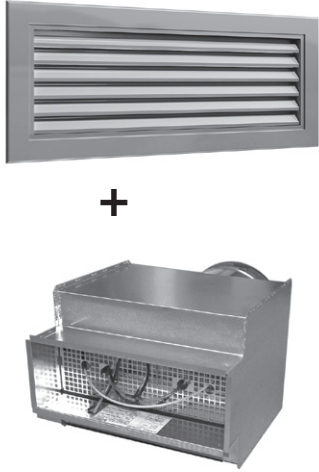
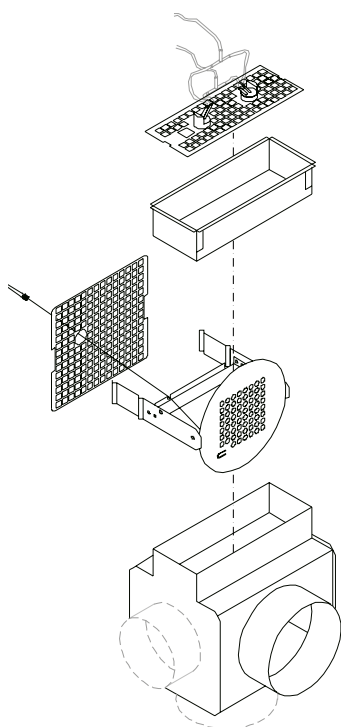


Grilles K-value

AR11

AR11 + VBA Extract

AR11 + VBA Extract	Dim	Connection		
		1 = Back	2 = Side	4 = Top
 <p>2 measuring tubes (Black = high pressure)</p>	200 x 100	7.7	7.3	7.9
	300 x 100	11.3	11.3	11.5
	400 x 100	15.2	15.3	15.3
	500 x 100	20.0	21.5	21.2
	300 x 150	16.1	17.0	16.3
	400 x 150	22.6	21.7	23.0
	500 x 150	27.6	26.6	27.0
	600 x 150	34.2	34.2	34.2
	400 x 200	31.5	30.0	30.9
	500 x 200	41.1	38.7	39.0
	600 x 200	49.6	46.4	47.8



Calculation of air volumes:

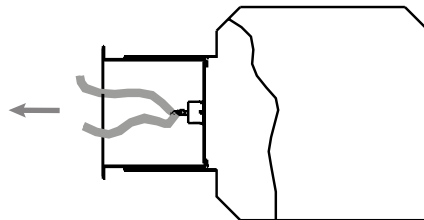
$$q_v \text{ [l/s]} = k \times \sqrt{\Delta P_i}$$

$$q_v \text{ [m}^3\text{/h]} = k \times \sqrt{\Delta P_i} \times 3.6$$

Method accuracy:

+/- 10% ($\Delta P_i \geq 5 \text{ Pa}$)

Extract



VBA is delivered for supply air - turn the measuringplate for extract air.