

# Manifold

# MCU



## Description

The manifold can be used for both supply and exhaust air. It is available in several types and dimensions.

The manifolds are designed for floor installation but can be used at other locations as well.

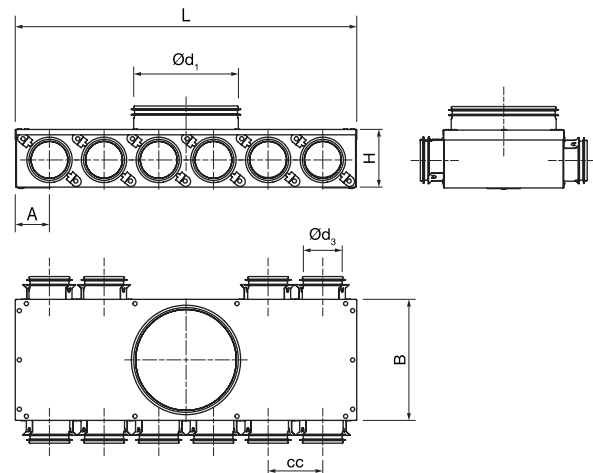
All types have couplings with Lindab safe sealings for connections of SR spiral-seamed ducts or semiflexible ducts LFPE. Boxes with Ø 76 couplings with Lindab safe sealings are intended for direct connection of the semiflexible duct LFPE. It is not intended for SR spiral-seamed duct.

The Smart Lock function allows you to fasten LFPE effortlessly to the Safe couplings.

Two turnable anchor plates, placed on the bottom of the manifold, can be used for fixation.

Fulfils the requirements for air tightness class D.

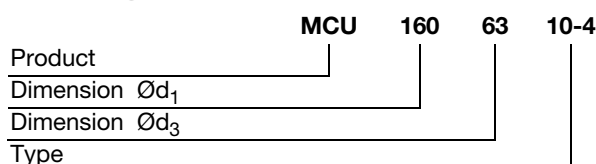
## Dimensions



## Type 6 and 8

Ød <sub>1</sub> nom	Ød <sub>3</sub> nom	Type	L mm	B mm	H mm	cc mm	A mm	m kg
125	63	4-2	352	185	88	83	52	1,50
125	63	6-4	520	185	88	83	53	2,30
125	63	6-0	520	185	88	83	53	2,30
160	63	6-0	520	185	88	83	53	2,20
160	63	6-4	520	185	88	83	53	2,30
160	63	10-4	853	185	88	83	53	3,40
125	76	4-2	422	185	108	100	61	2,00
125	76	6-0	622	185	108	100	61	2,30
125	76	8-0	822	185	108	100	61	3,00
160	76	6-0	622	185	108	100	61	2,41
160	76	6-4	622	185	108	100	61	3,10
160	76	8-0	822	185	108	100	61	3,08
200	76	10-0	1022	221	108	100	61	4,19
160	80	6-0	622	185	108	100	61	2,41
160	80	8-0	822	185	108	100	61	3,08
200	80	10-0	1022	221	108	100	61	4,19

## Ordering example

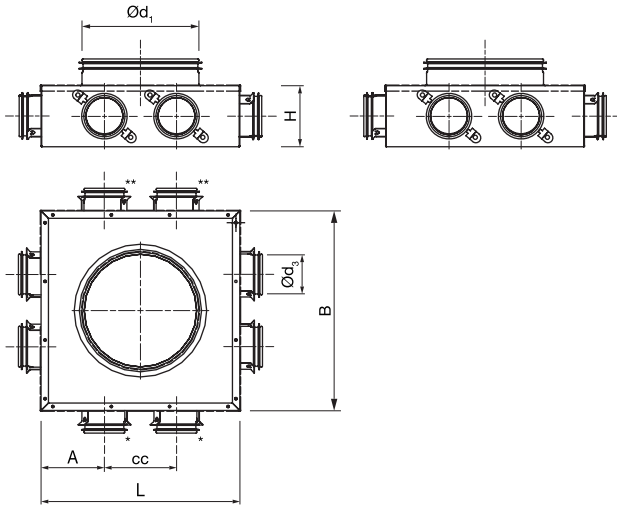


# Manifold

# MCU

## Dimensions

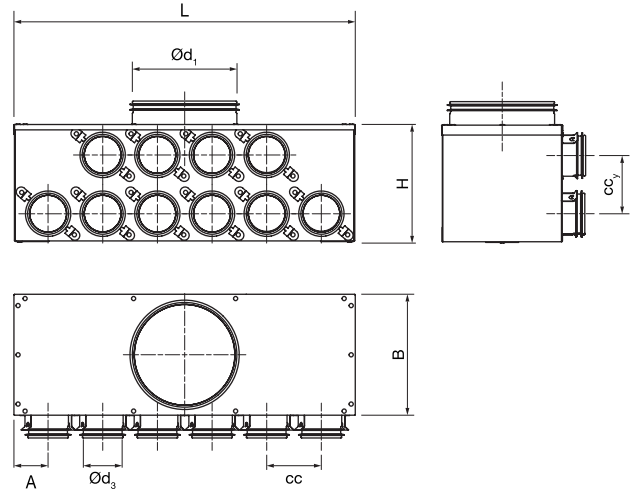
Type 4, 6 and 8



- \* Only on type 6 and 8
- \*\* Only on type 8

Ød <sub>1</sub> nom	Ød <sub>3</sub> nom	Type	L mm	B mm	H mm	cc mm	A mm	m kg
125	63	6	274	274	88	98	88	2,00
125	63	8	274	274	88	98	88	1,70
160	63	8	274	274	88	98	88	1,80
125	76	4	274	274	108	108	87	1,50
125	76	6	274	274	108	100	61	1,60
125	76	8	274	274	108	100	87	1,70
160	76	8	274	274	108	115	80	1,76
200	76	8	274	274	108	115	80	1,75
160	80	8	274	274	108	115	80	1,76
200	80	8	274	274	108	115	80	1,75

Type 6+4



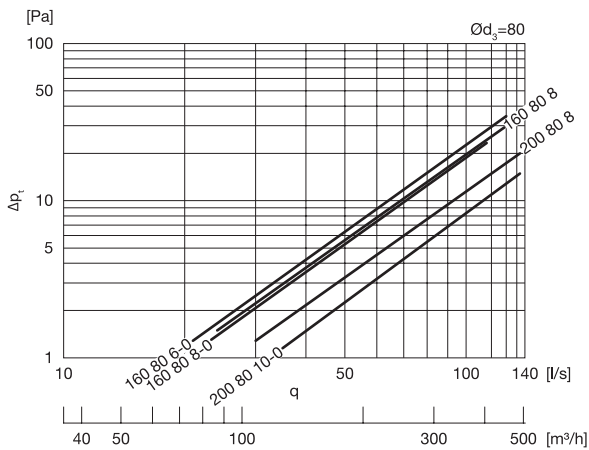
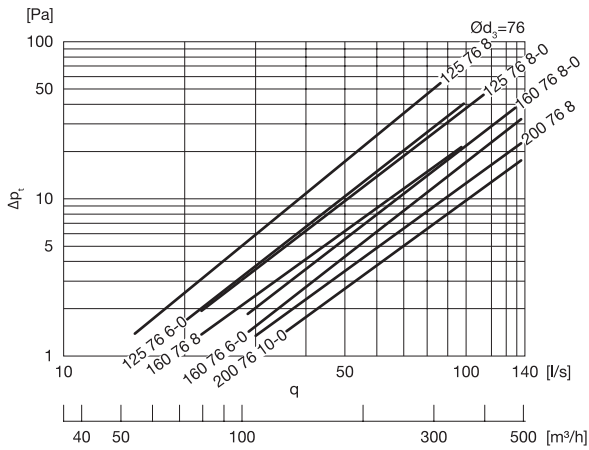
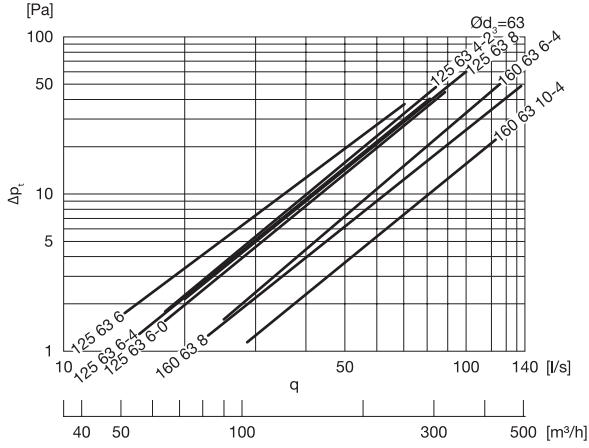
Ød <sub>1</sub> nom	Ød <sub>3</sub> nom	Type	L mm	B mm	H mm	cc mm	cc <sub>y</sub> mm	A mm	m kg
160	63	6+4	520	185	175	83	85	53	3,00
160	76	6+4	622	185	205	100	100	61	3,80

# Manifold

# MCU

## Technical data

### Supply



### Extract

